

# 8T



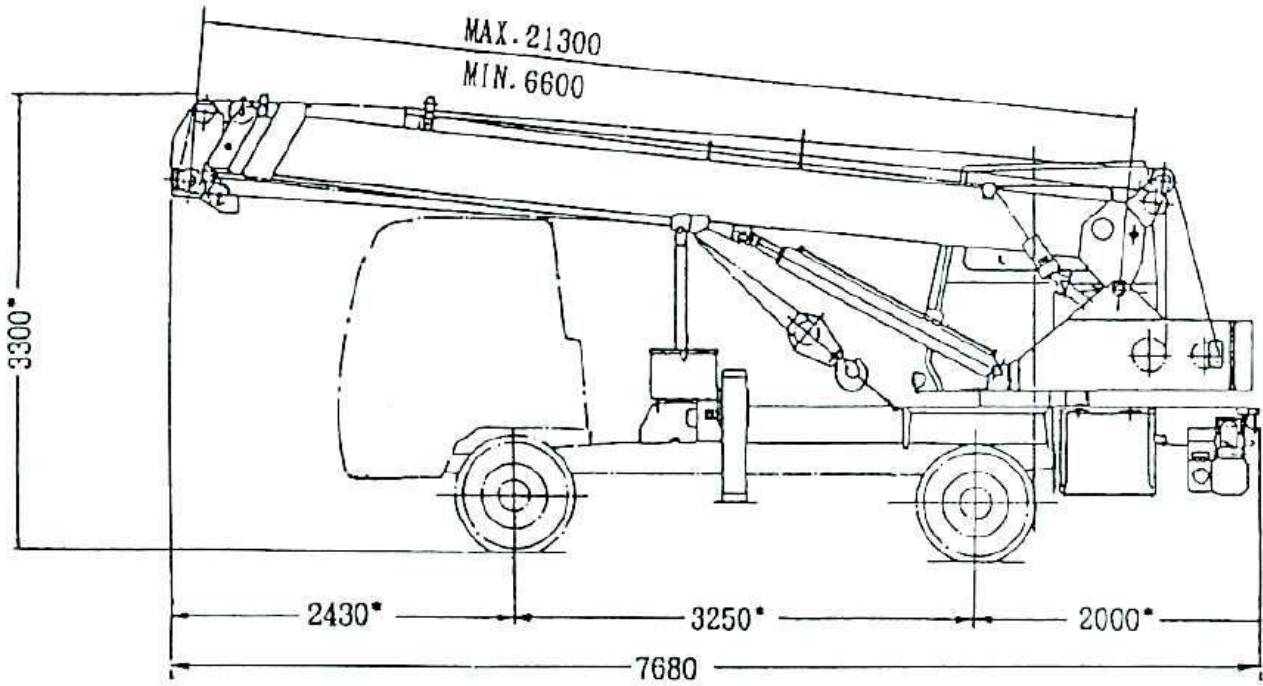
## Tadano TS75ml

Gross Vehicle Weight (as Travels)	9.0te	Outrigger Floats Supplied	0.5 x 0.5m Nylon (0.25m <sup>2</sup> )
Axle Weight	5.0te	Maximum Ground Bearing Force by 1 Stabiliser	8.0te
Steering Axles	1 of 2	Counterweight (as Travels)	Fixed
Drive Axles	1 of 2	Deductions	Single Top Sheave Reduction up to 50kg
Hookblocks Supplied (& Weight)	4.9te (0.065te), 1.3te (0.02te)	Additional Hookblocks Available & Weight	None

# MARSDEN

## CRANE SERVICES

### 01257 450633



Overall width..... 2,230\* mm  
 Tail swing radius..... 1,600 mm

### Tadano TS75ml

Fixed Cwt – Outrigger Base 3.70m x 4.63m – 360° Slew Range – Main Boom – DIN / ISO

Boom - Rad. m	Front Jack Extended (360°) Front Jack Not Extended (Sides & Rear)				Front Jack Not Extended (Over Front)				- Boom Rad. m
	6.6m	11.5m	16.4m	21.3m	6.6m	11.5m	16.4m	21.3m	
	t	t	t	t	t	t	t	t	
	-	-	-	-	-	-	-	-	
2	4.9	-	-	-	4.9	-	-	-	2
2.5	4.9	-	-	-	4.9	-	-	-	2.5
3	4.9	4.9	-	-	4.9	4.9	-	-	3
3.5	4.9	4.9	3.9	-	3.8	3.9	3.5	-	3.5
4	4.55	4.5	3.6	-	2.9	3.0	2.8	-	4
4.5	3.75	3.85	3.3	2.0	2.2	2.4	2.4	2.0	4.5
5	3.15	3.25	3.05	2.0	1.8	1.95	1.95	1.8	5
5.5	2.7	2.8	2.8	1.85	1.4	1.6	1.6	1.65	5.5
6	2.35	2.45	2.45	1.7	1.1	1.35	1.35	1.4	6
7	-	1.9	1.95	1.45	-	0.95	0.95	1.0	7
8	-	1.55	1.55	1.25	-	0.7	0.7	0.75	8
9	-	1.25	1.3	1.1	-	0.5	0.5	0.55	9
10	-	1.05	1.1	0.95	-	0.35	0.35	0.4	10
10.9	-	0.9	0.9	0.9	-	0.25	0.25	0.3	10.9
12	-	-	0.75	0.78	-	-	-	-	12
13	-	-	0.65	0.7	-	-	-	-	13
14	-	-	0.55	0.6	-	-	-	-	14
15	-	-	0.45	0.52	-	-	-	-	15
15.8	-	-	0.4	0.45	-	-	-	-	15.8
17	-	-	-	0.37	-	-	-	-	17
18	-	-	-	0.31	-	-	-	-	18
19	-	-	-	0.25	-	-	-	-	19
20	-	-	-	0.2	-	-	-	-	20
20.5	-	-	-	0.17	-	-	-	-	20.5

**MARSDEN**  
CRANE SERVICES

38 Church Lane, Wrightington, Wigan WN6 9SL

106 Towngate, Ecclestone, Chorley, Lancashire PR7 5QS

**01257 450633**

[info@marsdencraneservices.com](mailto:info@marsdencraneservices.com)