

9T



Bocker Crane AK 37/4000






Gross Vehicle Weight (as Travels)	9.0te	Outrigger Floats Supplied	0.8 Nylon Disc (0.5m2)
Axle Weight	7.0te	Maximum Ground Bearing Force by 1 Stabiliser	5.5te
Steering Axles	1 of 2	Counterweight (as Travels)	N/A
Drive Axles	1 of 2	Deductions	None
Hookblocks Supplied (& Weight)	2.0te, 4.0te	Additional Hookblocks Available & Weight	None

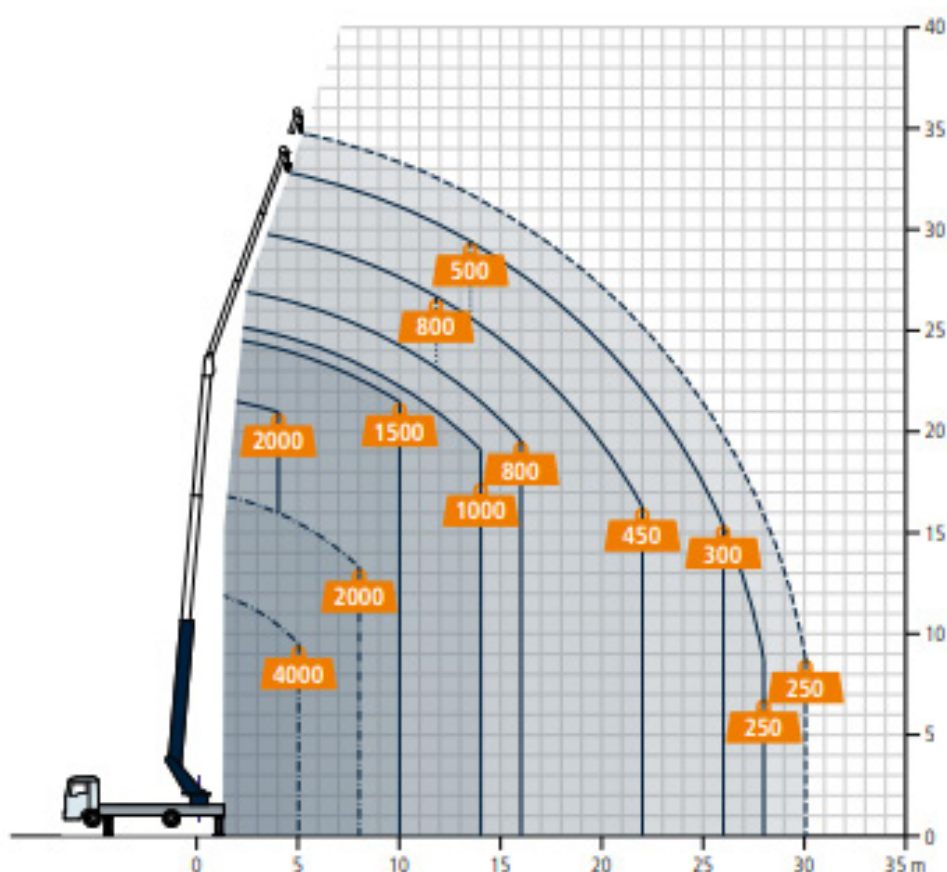
MARSDEN

CRANE SERVICES

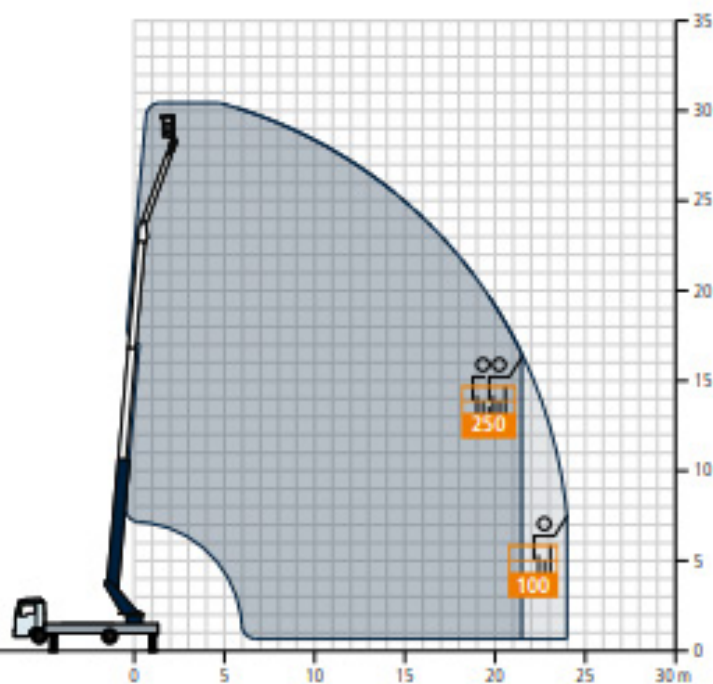
01257 450633

Working range crane operation

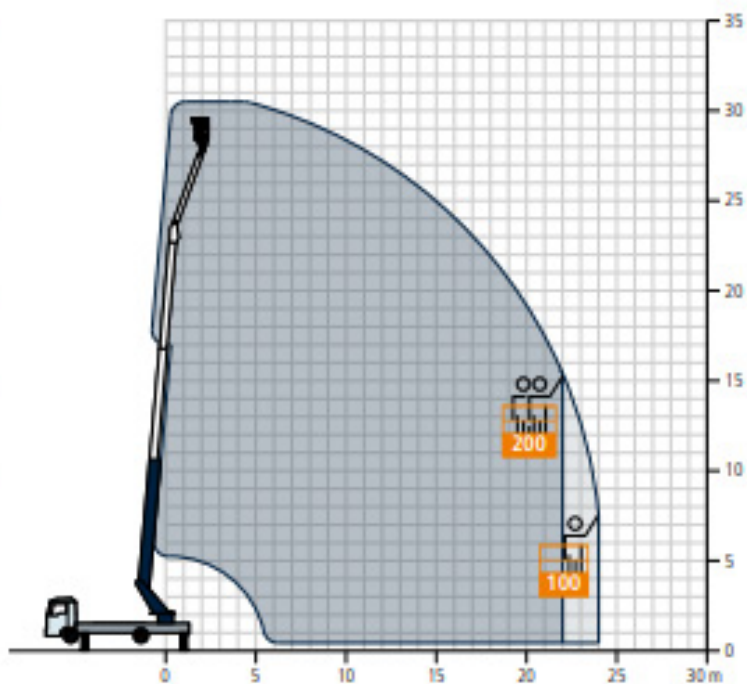
-  Load in kg
-  Single-fall operation
-  Two-fall operation
-  With jib-extension (2 m)
-  Increased jib load with reduced working range



Working range platform operation

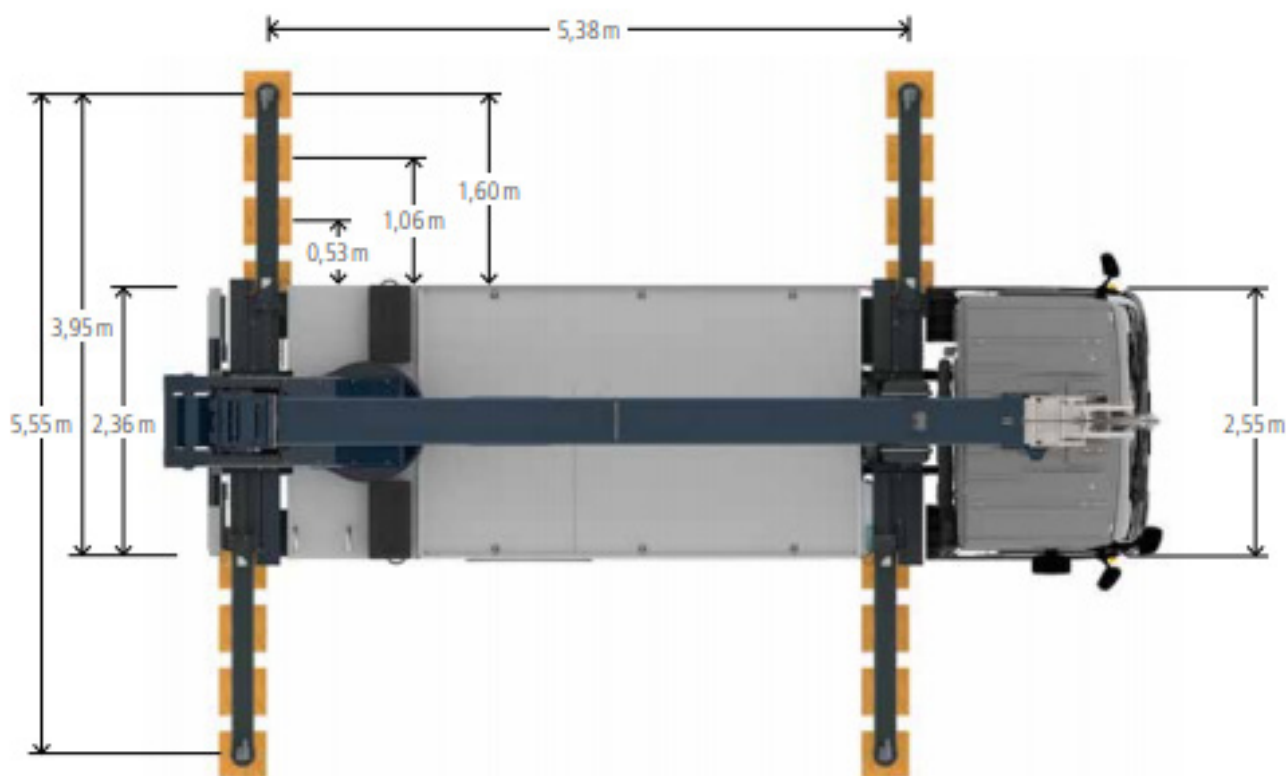
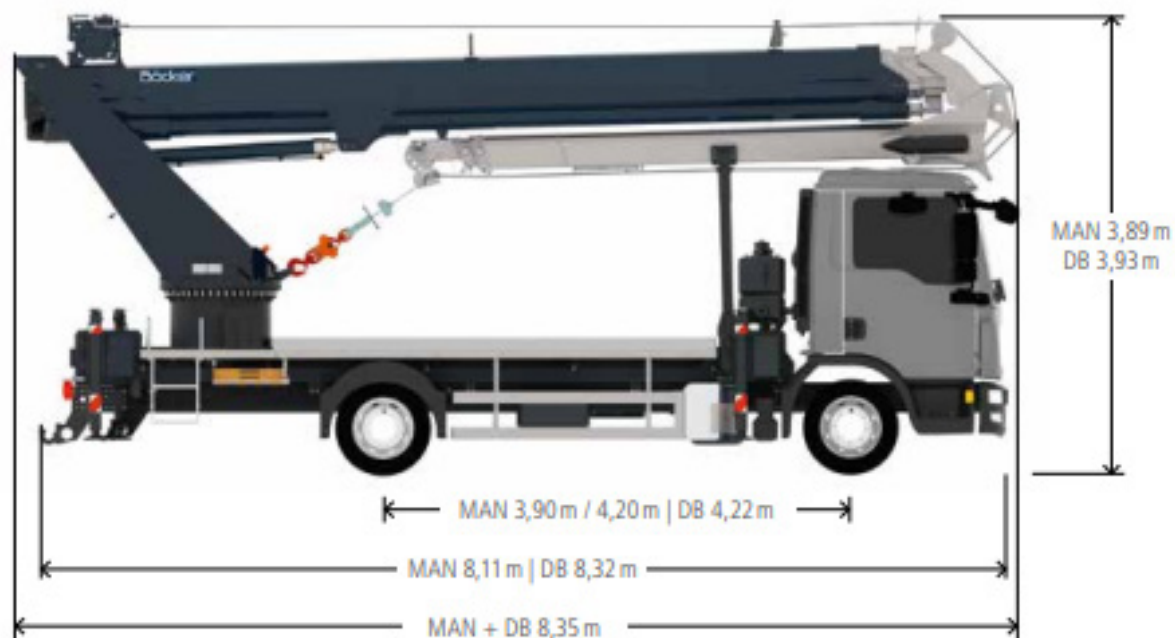


Rotatable basket, capacity of max. 250 kg



Hooped basket, capacity of max. 200 kg

Dimensions





38 Church Lane, Wrightington, Wigan WN6 9SL
106 Towngate, Ecclestone, Chorley, Lancashire PR7 5QS

01257 450633
info@marsdencraneservices.com